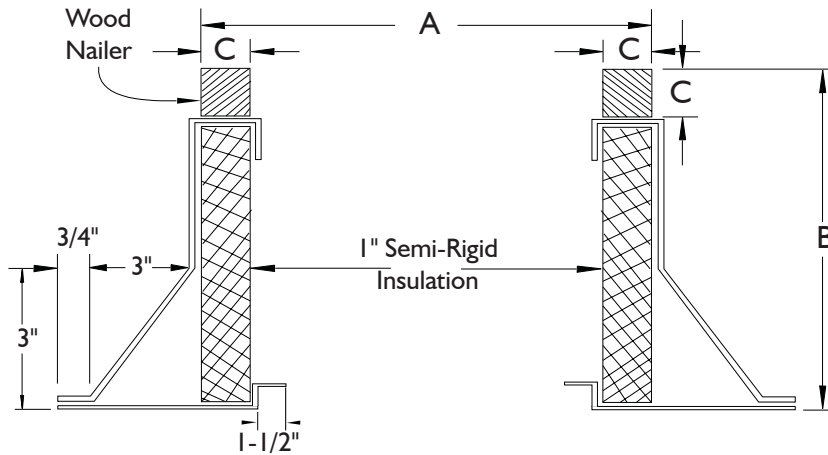


# INSULATED CANTED ROOF CURB



**Breidert**  
Air Products

6393 Powers Avenue  
Jacksonville, Florida 32217-2298  
P: 904.731.4711 / F: 904.737.8322  
www.breidert.com



**OPTIONS:**

1. Insulation retainers - solid or screen type.
2. Burglar bars - 1/2" dia. on 6" centers.
3. Finishes - baked or air-dried enamel or epoxy.
4. Heights: 8, 12, or 16".
5. Single pitch, double pitch or flat style.
6. Damper Tray.

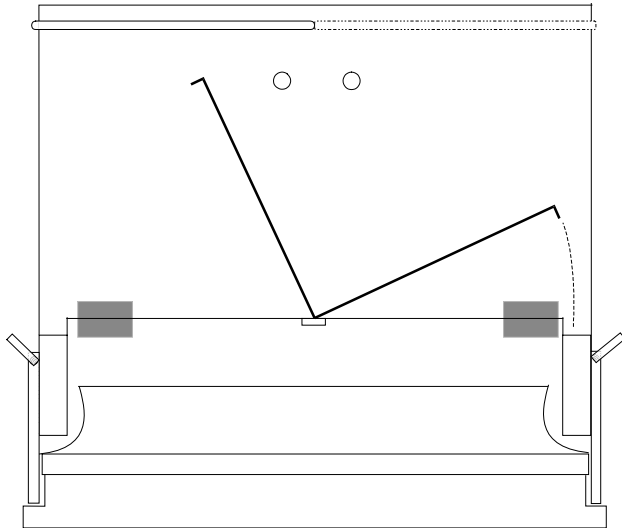
FAN SIZE	"A" OD (Square) CURB / RF TYPE					"B" CURB HEIGHT	"C" WOOD NAILER	GAUGES	WEIGHT
	CENTRIFUGAL SUPPLY (1)	CENTRIFUGAL SUPPLY (SRT)	UPBLAST ROOF (2)	TUB (3)	HOODED ROOF (4)				
9	22-3/4	-	-	-	-	12" STD	1-1/2" Sq	18	34
10	26-1/2	14-3/4	-	-	-				36
12	26-1/2	-	-	-	-				36
15	30-1/2	-	-	-	-				36
18	34-5/8	-	-	-	-				40
20	49	-	-	-	-				58
24	-	-	31	33-1/4	33-1/4				39
30	-	-	37	39-1/4	39-1/4				46
36	-	-	43	45-1/4	45-1/4				54
42	-	-	49	51-1/4	51-1/4				61
48	-	-	55	57-1/4	57-1/4				68
54	-	-	61	63-1/4	63-1/4				75
60	-	-	67	69-1/4	69-1/4	82			

1. Model - CSF, LSF
2. Model - UBB, UBS, UBX, UBRD
3. Model - TUB, TUBHT
4. Model - HREB-C, HRSB, HRED-C, HRSD, HRSBF, HRSDF
6. Standard construction is shown. If special construction is required, note changes below and highlight.
7. G-90 galvanized welded steel construction.

ACCESSORY ITEMS	1	2	3	4	5	ACCESSORY ITEMS	1	2	3	4	5
<input type="checkbox"/>						<input type="checkbox"/>					
<input type="checkbox"/>						<input type="checkbox"/>					
<input type="checkbox"/>						<input type="checkbox"/>					
<input type="checkbox"/>						<input type="checkbox"/>					
<input type="checkbox"/>						<input type="checkbox"/>					


Project: \_\_\_\_\_ Submitted: \_\_\_\_\_  
 Customer: \_\_\_\_\_ Approved: \_\_\_\_\_  
 Location: \_\_\_\_\_

# MAGNETIC DAMPER LATCH INSTALLATION INSTRUCTIONS

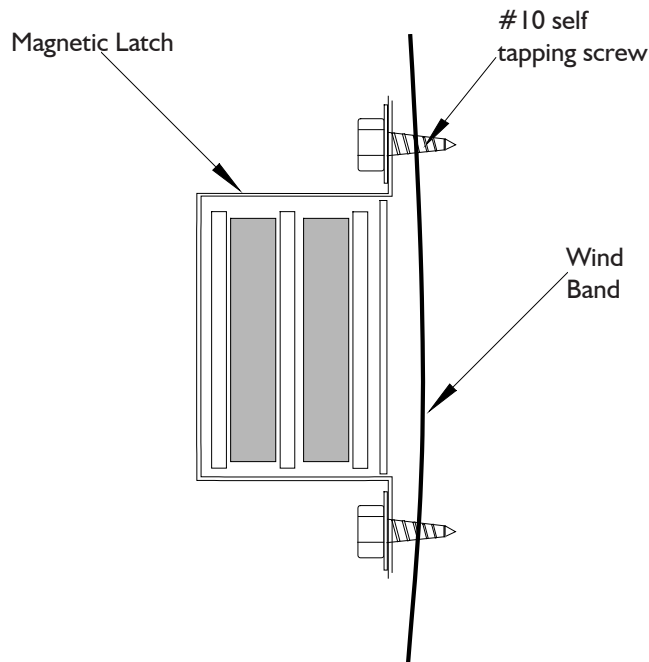


## PARTS REQUIRED

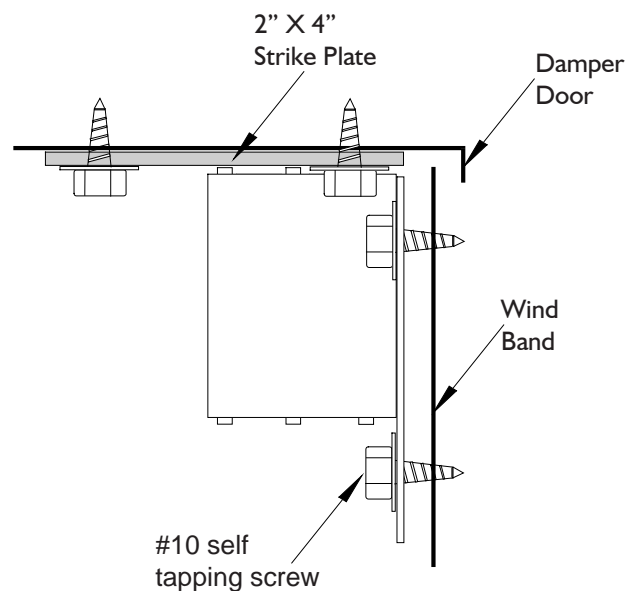
- 2 - Magnetic Latches
- 2 - 2" x 4" Strike Plates
- 16 - #10 Self Tapping Screws

1.  Locate latches as shown.
2. Attach magnet to wind band with 4 #10 self tapping screws.
3. Attach 2" X 4" latch plate to bottom of damper doors (required on fiberglass doors) with 4 #10 self tapping screws, making sure it makes contact with magnets on latch.
4. Make sure latch is level and true with damper for good holding power - select smooth & level damper area for installation.
5. Caulk around all screws on damper doors to eliminate leakage.

## CHECK OPERATION MANUALLY



TOP VIEW



SIDE VIEW