

MODEL UBS BELT DRIVE UPBLAST PROPELLER ROOF EXHAUSTER

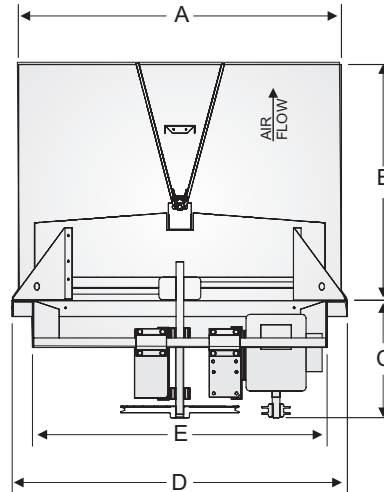


6393 Powers Avenue
Jacksonville, Florida 32217-2298
P: 904.731.4711 / F: 904.737.8322
www.breidert.com



STANDARD CONSTRUCTION FEATURES

- Galvanized Steel Butterfly Dampers.
- Galvanized Steel Windband.
- Lifting Eyes at All Four Corners of Curb Cap.
- Galvanized Curb Cap with Fully Welded Corners.
- Heavy Galvanized Schedule 40 Pipe Frame.
- Cast Iron Pillow Block Bearings with Lube Fittings. Average Life of 200,000 Hours.
- V Belt Drive with Adjustable Motor Sheave.
(Standard through 3HP)
- Nationally Recognized and Locally Serviced Motor.
- Heavy Epoxy Coated Steel Hub Plate. Keyed to Fan Shaft.
- Die Formed Epoxy Coated Steel Propeller Blades.
- Integral Galvanized Steel Rain Channel.
- Stainless Steel Damper Rod.
- cULus Listed - Standard 705 (optional).



| Model UBS | A | B | C | D | E | F | Metal Gauges | | Average Wt. Lbs. |
|-----------|----|----|----|----|----|----|--------------|-----------|------------------|
| | | | | | | | Wind Shroud | Fan Panel | |
| 24 | 30 | 26 | 20 | 32 | 28 | 31 | 18 | 16 | 250 |
| 30 | 36 | 29 | 21 | 38 | 34 | 37 | 18 | 16 | 325 |
| 36 | 42 | 31 | 21 | 44 | 40 | 43 | 18 | 16 | 350 |
| 42 | 48 | 34 | 22 | 50 | 46 | 49 | 18 | 16 | 425 |
| 48 | 54 | 37 | 26 | 56 | 52 | 55 | 18 | 16 | 450 |
| 54 | 60 | 40 | 26 | 62 | 58 | 61 | 18 | 14 | 575 |
| 60 | 66 | 43 | 26 | 68 | 64 | 67 | 18 | 14 | 750 |

- A** - Outside Diameter of Windband.
- B** - Height of Unit Above Curb Cap.
- C** - Maximum Depth of Unit Below Top of Curb, Actual Depth Varies with Motor Size.
- D** - Inside Dimension of Square Curb Cap.
- E** - Minimum Inside Dimension of Curb Opening Required for Adequate Clearance of Fan Frame.
- F** - Outside Dimension of Factory Built Pre-fab Curb.

| FAN SPECIFICATIONS | | | | | | | | | MOTOR SPECIFICATIONS | | | | |
|--------------------|------|-----------|-----|-----|----|---------|-----|-------|----------------------|-------|-------|-------|------|
| Line | Qty. | Model No. | Tag | CFM | SP | Fan RPM | BHP | Sones | HP | Volts | Phase | Hertz | Encl |
| 1 | | | | | | | | | | | | | |
| 2 | | | | | | | | | | | | | |
| 3 | | | | | | | | | | | | | |
| 4 | | | | | | | | | | | | | |
| 5 | | | | | | | | | | | | | |

| ACCESSORY ITEMS | | | | | ACCESSORY ITEMS | | | | | | |
|--------------------------|---|---|---|---|-----------------|--------------------------|---|---|---|---|---|
| | 1 | 2 | 3 | 4 | 5 | | 1 | 2 | 3 | 4 | 5 |
| <input type="checkbox"/> | | | | | | <input type="checkbox"/> | | | | | |
| <input type="checkbox"/> | | | | | | <input type="checkbox"/> | | | | | |
| <input type="checkbox"/> | | | | | | <input type="checkbox"/> | | | | | |
| <input type="checkbox"/> | | | | | | <input type="checkbox"/> | | | | | |
| <input type="checkbox"/> | | | | | | <input type="checkbox"/> | | | | | |

Project: _____ Submitted: _____
 Customer: _____ Approved: _____
 Location: _____