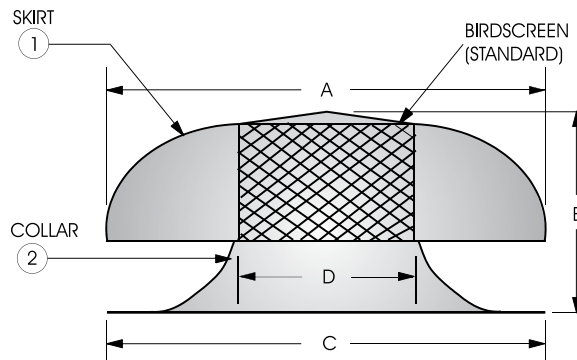


MODEL RCXII-SF SELF FLASHING SPUN ALUMINUM GRAVITY VENTILATORS



STANDARD FEATURES

- Five year warranty
- Low contour spun aluminum hood for attractive appearance.
- All heavy-gauge aluminum
- Weather resistant design for long life and maintenance free operation.
- Galvanized birdscreen is standard.
- Available in 11 sizes for a wide range of performance capabilities.
- Shipped completely assembled for ease in installation.
- Intake or exhaust.
- Low pressure drop



Model No.	Neck Area sq. ft.	Dimensions (in.)				Material Gauge		Estimated Weight	Nominal Damper Size
		A	B	C	D	1	2		
8	0.39	22	8	29	8-1/2	0.063	0.050	10	8 x 8
10	0.59	22	8	29	10-1/2	0.063	0.050	15	8 x 8
12	0.85	22	8-3/8	36	12-1/2	0.063	0.050	24	15 x 15
15	1.23	22	8-3/8	36	15	0.063	0.050	24	15 x 15
18	1.89	32-3/4	12-1/2	41-5/8	18-3/4	0.063	0.063	35	21 x 21
20	2.18	32-3/4	12-1/2	41-5/8	20-1/4	0.063	0.063	35	21 x 21
24	3.30	43-3/4	12-1/2	45-3/8	24-5/8	0.063	0.063	57	27 x 27
26	3.69	43-3/4	17-3/8	45-3/8	26	0.063	0.063	57	27 x 27
30	5.16	43-3/4	17-3/8	55	30-3/4	0.063	0.080	75	34 x 34
33	5.94	54-3/4	17-3/8	55	33	0.100	0.080	75	34 x 34
36	7.06	54-3/4	17-3/8	55	36	0.100	0.080	90	34 x 34

ACCESSORY ITEMS	1	2	3	4	5	ACCESSORY ITEMS	1	2	3	4	5
<input type="checkbox"/>						<input type="checkbox"/>					
<input type="checkbox"/>						<input type="checkbox"/>					
<input type="checkbox"/>						<input type="checkbox"/>					
<input type="checkbox"/>						<input type="checkbox"/>					
<input type="checkbox"/>						<input type="checkbox"/>					

Project: _____	Submitted: _____
Customer: _____	Approved: _____
Location: _____	